

# “How To” Fixing Instructions For KS KlevaKlip Saddle Clips To Timber Joists



Play Installation DVD at [www.klevaklip.com.au](http://www.klevaklip.com.au)

## Please Read These Important Notes

- It is essential to read and follow the steps listed in this “How To” Fixing Instruction manual prior to installing the KlevaKlip System
- KlevaKlip only recommends Kiln Dried (KD) hardwood and solid section composite boards.
- KlevaKlip has been designed specifically to industry-recognised standard sizes (hardwoods 86 and 90mm plus or minus 0.5mm) and shrinkage specifications (max 1mm –Australian hardwoods, max 2mm – imported hardwoods). KlevaKlip cannot be held Responsible for inaccurate sized decking boards outside these listed specifications.
- Please ensure all the KlevaKlip’s are clean, sound, dry and free of oil or grease. Thoroughly remove all loose particles and dust prior to fixing.
- When fixing Australian & Imported Hardwood especially Merbau make sure the deck boards are not wet and there are no traces of tannin bleed on the deck board surface where the Fuller Toolbox is bonded.
- Never fix boards relying on adhesive only. If fixing boards in areas without KlevaKlip make sure you use some type of mechanical fix. (e.g. screw)
- The KlevaKlip saddle clip is designed to suit joists of 45mm-48mm in thickness and is not suitable for non-square decks or irregular joist heights. Noticeably warped or bowed deck boards are unsuitable when using the KlevaKlip system.
- Whilst the fixing of the boards into the KlevaKlip is fast and will save time over conventional hand fixing, it is important that extreme care is taken in installing your first row of KlevaKlip’s. This will govern the straightness of your deck.
- It is essential that Composite boards are primed with Sikaflex 215 primer just in the areas where the Sikaflex 11FC meets the deck boards in the KlevaKlip.

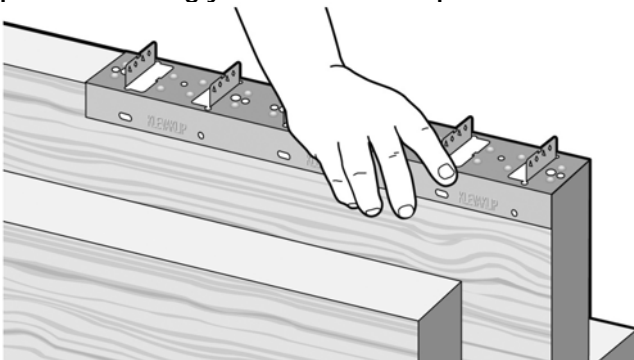
### APPROVED ADHESIVES FOR KLEVAKLIP

Timber Type	Approved Adhesives	Coverage	Primer
Australian or Imported Hardwood	Bostik Zero Nails, Bostik “Solvent Based “ No More Nails Fuller Toolbox	Approx 1 Cartridge 4M2	Not Required
Modwood Composite Traditional range only	SikaFlex 11FC	Approx 1 Cartridge 4M2	Sika Primer 215 Must be used

#### Step 1- Positioning the Front KlevaKlip’s to the Outer Side Joists

Starting from the outside front edge of your deck place a KlevaKlip on each one of your outer side Joists of your decking substructure. Make sure either the KlevaKlip’s are sitting squarely on the outside joists and are flush with front face of the joist, or alternatively positioned just back from the end of the joist to provide the current overhang for the front full deck board and fascia when fixed. Full deck board widths are recommended at the front edge of your deck and once this is obtained we suggest you place your other KlevaKlip’s on the end joists towards the house to check squareness of your deck thus ensuring last deck board size against the house is not too small.

**TIP: Please read Step 9 finishing the front edge deck board prior to securing your first row of clips**

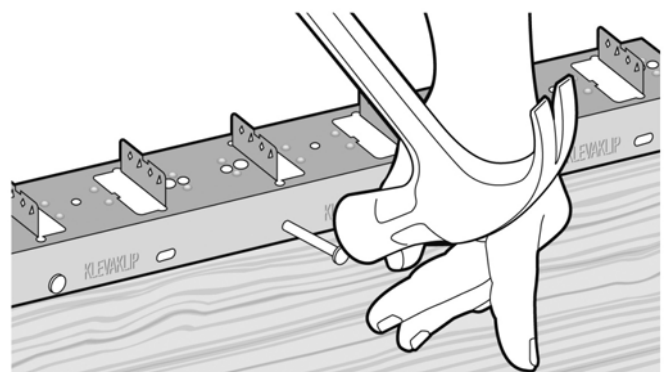


#### Step 2- Fixing the Front KlevaKlip’s to the Outer Side Joists

Your first clips should be fixed by hand to ensure accuracy. Fix the Galvanised KlevaKlip’s to the outside joists using Galvanised Connector Nails 32mm x 3.15 or equivalents. When fixing Stainless Steel clips please use stainless steel equivalents not galvanised screws. When fixing the KlevaKlip’s to the joists firmly press down on top of the clip either by hand or foot, whilst side fixing to ensure the KlevaKlip’s are sitting squarely on the joist.

**Tip: When positioning the KlevaKlip into place utilise the elongated holes on both sides of the KlevaKlip by nailing of with two nails. Check position and adjust if necessary prior to fixing the remainder of the nails into the provided holes.**

A minimum of 3 nails per side per KlevaKlip should be used to fasten the KlevaKlip to the joists



# “How To” Fixing Instructions For KS KlevaKlip Saddle Clips To Timber Joists

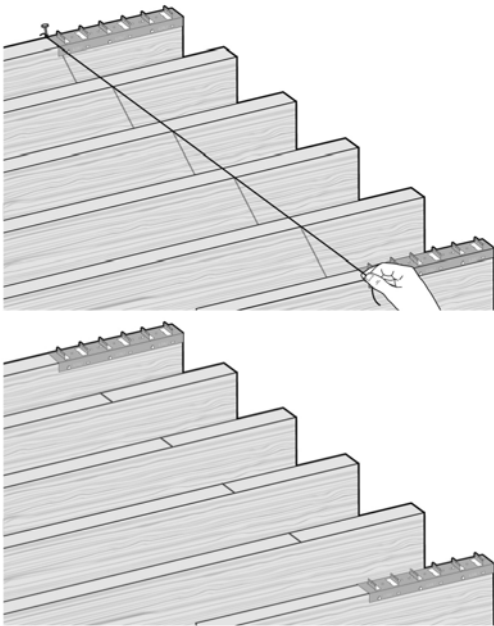


**Tip: Apply a bead of Fuller TOOLBOX Adhesive for Australian & Imported Timber, Sikaflex 11FC Adhesive for Modwood Composite 85mm wide and 10mm high in the middle of the clip between the four (4) nipples.**

## Step 3- Positioning the Front KlevaKlip's to the Inside Joists

Once both outer side KlevaKlip's have been securely fastened to the joists, run a string chalk line from one of the outer side KlevaKlip's across the inner joists of the deck on to the other outer side KlevaKlip. Pull string tightly and flick the string line and this will mark a chalk line on all the internal joists between the two outer side joists.

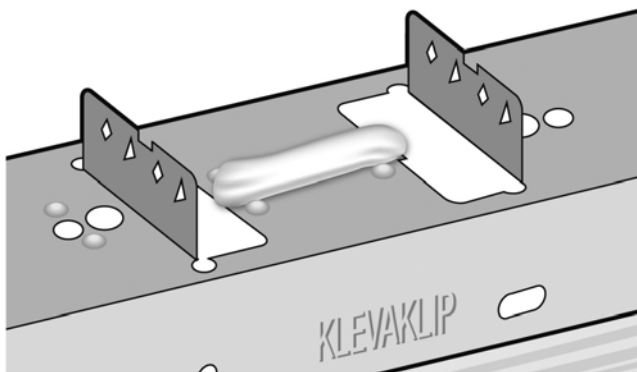
Using this chalk line mark, you can then correctly position the remainder of front KlevaKlip's on to the other internal joists. Fix to the joists using the same fixing methods as described in **Step 2**. Using this method will align your inside KlevaKlip's directly inline with your outside KlevaKlip's and elevate any incorrect internal joist length.



## Step 4- Applying Adhesive to your Deck boards

Now you have completed laying your first row of KlevaKlip's to your joists, its time to apply a bead of Fuller TOOLBOX Adhesive for Australian & Imported Timbers into the base of each of the KlevaKlip's.

Sikaflex 11FC Adhesive and Sikaflex Primer 215 are required for Modwood composite boards



**KLEVAKLIP SYSTEMS PTY LTD** ABN 12 353 129 374  
P 1300 364 362 E info@klevaklip.com.au  
www.klevaklip.com.au

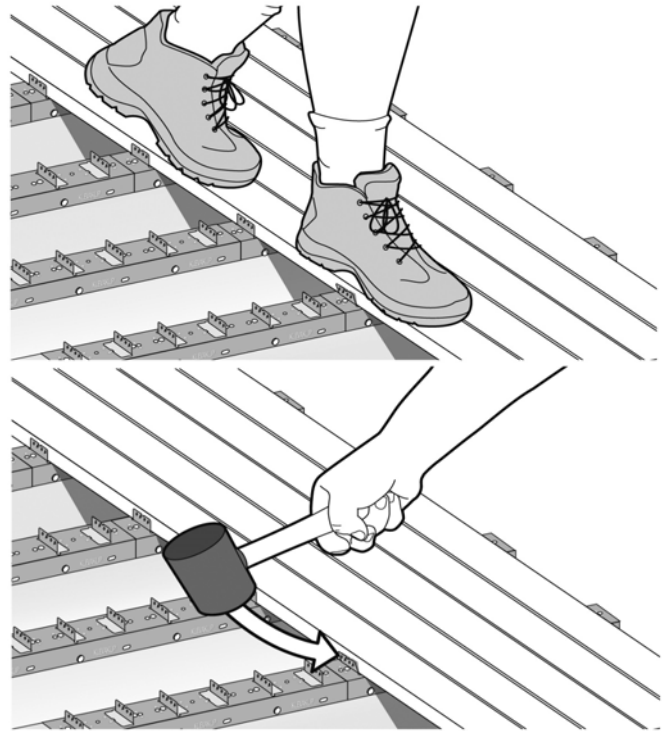
## Step 5- Inserting your Deck boards

Firstly you will need to cut your deck boards to the required length and start from the front of your deck.

Place the deck board length at the top of each KlevaKlip upright making sure the deck board is sitting flat and ensuring the top of the uprights are on both the outside edges of the deck board.

Once the board is sitting flat at the top of each KlevaKlip uprights you can then simply walk the deck boards into the KlevaKlip's or alternatively, gently tap the top of the deck boards with a rubber mallet until the deck board are locked into the KlevaKlip's claws and are sitting squarely on the four base nipples. Repeat the processes in Step 4 and 5 until all the deck boards are inserted into the KlevaKlip's. Try and avoid walking on top of newly laid deck boards until the adhesive has set.

**Tip: In some cases the KlevaKlip outside uprights may tend to slightly bend out. By utilising the rubber mallet gently tap the KlevaKlip side upright back into a vertical position.**



## Step 6- Butt Joints

At the top of each KlevaKlip upright you will see a notch. This notch is designed to line up with each your butt joints. Apply a bead 85mm wide and 10mm high of Fuller TOOLBOX adhesive for Australian & Imported Timbers, Sikaflex 11FC Adhesive for Modwood Composite on the top of the four (4) nipples. (See shot next page)

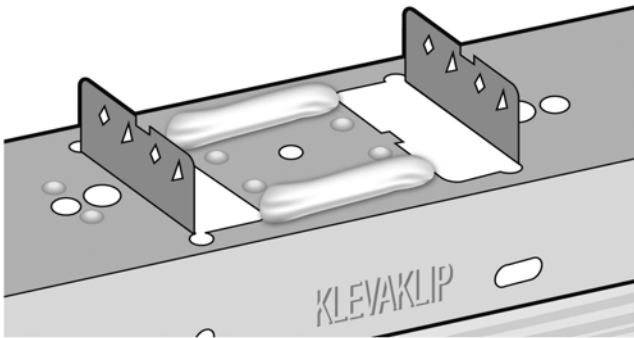
Insert your deck boards as instructed in Step 5.

**Tip: It is important that your butt joints are square and line up with the notch in the KlevaKlip upright otherwise the deck board end may not engage correctly with the Klevaklip claw.**

# “How To” Fixing Instructions For KS KlevaKlip Saddle Clips To Timber Joists



Depending how your deck is constructed you can then utilise a deck board for the fascia board to cover your joist ends.



## Step 7- Installing the remaining KlevaKlip's

Now you have completed your first front row of KlevaKlip's and deck boards it is time to fix the remainder of the clips to the joists. Simply place next KlevaKlip at the back end of the previous clip making sure both KlevaKlip's are hard up against each other (End to end). Secure the remainder of the KlevaKlip's to the joists using the same fixing methods as described in **Step 2**, Apply adhesive as described in **Step 3** and Insert your deck board as described in **Step 4**.

**Tip: The second and subsequent rows of KlevaKlip's can be quickly fixed using Coil Nailer Gun.**

## Step 8 - Modifying KlevaKlip's

**Tip: You can design your deck width to suit full KlevaKlip lengths. (KS-86 Australian Hardwood 535mm or KS-90 Imported Hardwood 553mm)** however, in some cases you may have to cut the KlevaKlip to fit. This will happen at the back of the deck generally against the house end. KlevaKlip is designed either to take a half width board at this end or you can cut the KlevaKlip with snips to utilise any board width.

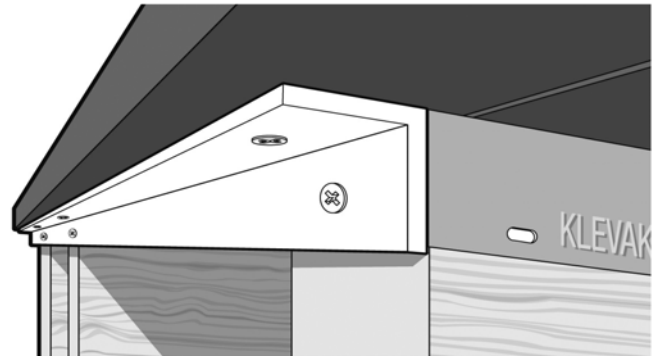
**Tip: Last board adjustments can be made when fixing the initial KlevaKlip's to the outside joists, as suggested in Step 1 you place your other KlevaKlip's on the end joists towards the house to check squareness of your deck and correct last board width against the house.**

## Step 9 – Finishing Front Edge Deck Board

There are various options in fixing the last board including top fixing using stainless steel nails or screwing from underneath your deck, thru the joist into the deck board however, thought should be given to finishing the last board before actual commencement of your deck.

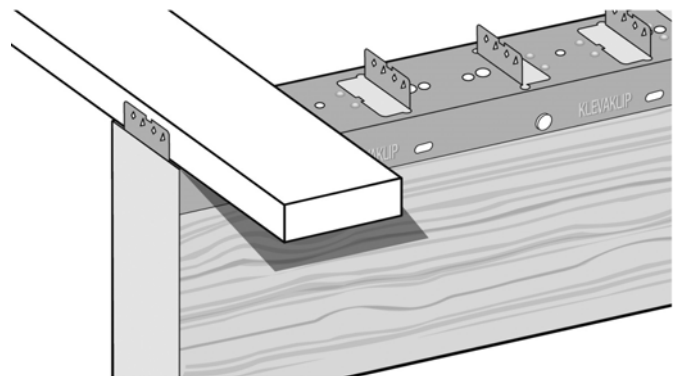
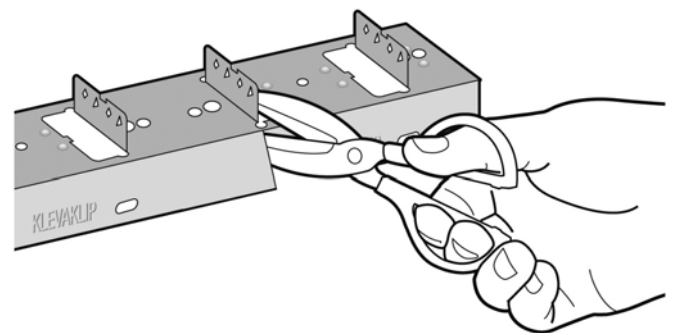
**Suggested methods:-**

**1.** Using 30mm x 30mm aluminium angle along the length of your deck drill holes thru the aluminium angle at each of the joist ends and screw fix to your joist ends making sure the aluminium angle is flush with the top of the KlevaKlip. Drill 2 holes in the aluminium angle between all the joists so as you can fix screws from underneath your deck board. Apply a bead 60mm wide and 10mm in height of Fuller TOOLBOX Adhesive for Australian & Imported Timbers, Sikaflex 11FC Adhesive for Modwood Composite into the base of each of the KlevaKlip's and push front edge deck board hard into each of the KlevaKlip's, then fix screws through the aluminium angle from underneath your deck board.



**2.** Only use this method if you don't require an overhang of your front deck board as this utilises the upright on the clip to secure the last deck board. You will need to cut the second last upright with snips on the outside edge from the end of the clip (doesn't matter which end as they are identical) which allows you to use the KlevaKlip upright to secure the front edge deck board. Apply construction adhesive as described above in each of the KlevaKlip's and walk the deck boards into the KlevaKlip as described in Step 5. Also you will lose 1.5 deck boards from each of the KlevaKlip's.

**TIP: Please ensure when using this method that the KlevaKlip's are firstly secured to the joist as part of STEP 1, otherwise the Front KlevaKlip's cannot be fitted at a latter stage without removing the other secured KlevaKlip's.**



Note: KlevaKlip Systems Pty Ltd cannot be held responsible for any Timber Distributors or Composite deck board manufacturers fixing instructions. Please contact the Distributor or manufacturer for their fixing instructions as each type of deck board may vary.

**KLEVAKLIP SYSTEMS PTY LTD** ABN 12 353 129 374  
P 1300 364 362 E info@klevaklip.com.au  
www.klevaklip.com.au

KS-December 2009